

## E4 Pro Adjustable Flangeless Trims

1.0

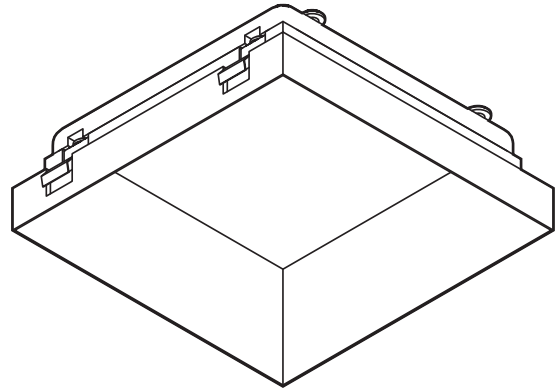
# VISUAL COMFORT & Co.

ARCHITECTURAL COLLECTION

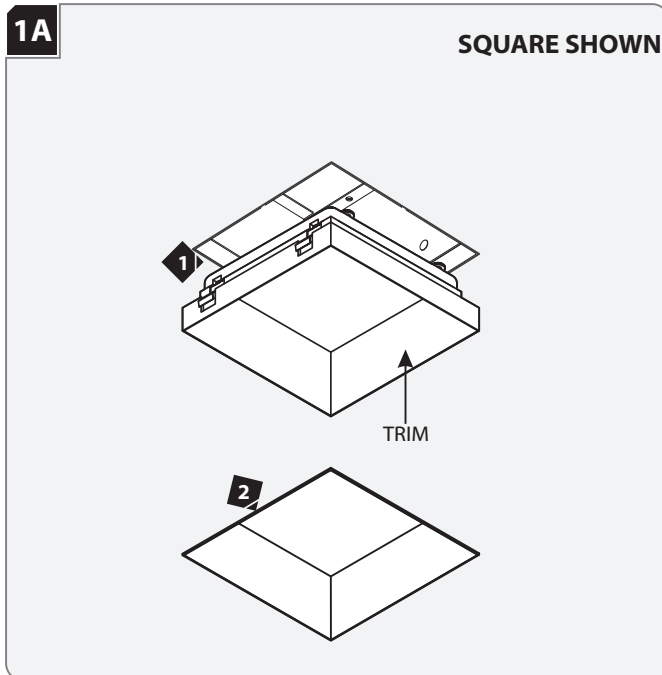
### GENERAL PRODUCT INFORMATION:

This product is suitable for indoor locations.

This instruction shows a typical installation.



### Install the Trim



- 1 Align the trim with the inner edge of the plaster plate.
- 2 Push the trim into the plaster plate until it snaps flush to the ceiling.

**SAVE THESE INSTRUCTIONS**